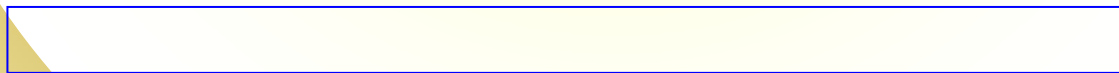


PLUS TXZ

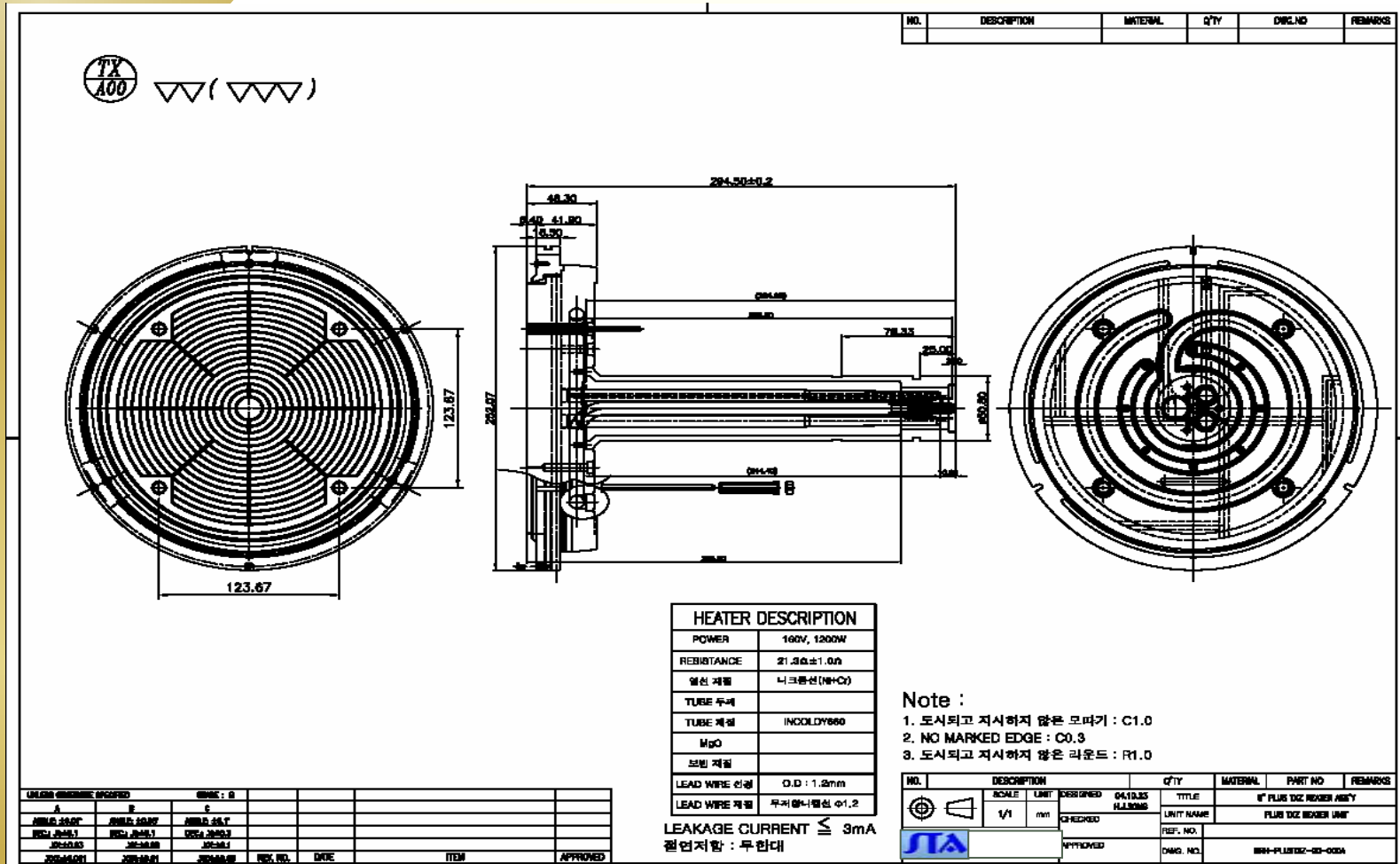
Semiconductor Technology America Inc.

Specifications

Product	PLUS TXZ	Power	160V, 1200W
OEM Part No.	0010-03244	Heater Resistance	21.3
Equipment	P-5000, Centura, Producer	Sheath	Inconel
Maker	AMAT	Block	Aluminum
Process	TIN	Temp.	< 450
Wafer	8-Inch	Temp. Uniformity	< 1% (9-points)
Warranty	1 year	Leak Rate	1×10^{-8} torr° /sec
Connection	Connector-Type	Surface Treatment	Bare



Drawings



Figure

